

RECEPTACLE

DIMENSIONS SHOWN METRIC (INCH)		REVISIONS	
UNLESS OTHERWISE SPECIFIED TOLERANCES: ANGULAR ± .005° TO		D	
INCH METRIC		SEE SHT. 1	
3 PLACE ± .010	---		
2 PLACE ± .014	± 0.25		
1 PLACE ---	± 0.35		
DRAFT WHERE APPLICABLE MUST REMAIN WITHIN DIMENSIONS			
DRWG. BY: RAS	CHKD. BY: RW		
APP'D. BY: RAS	SCALE: 2:1		

TITLE		REVISIONS	
.093/(2.36) HOUSING, PLUG AND RECEPTACLE, 2 CKT., .264/(6.70) CTRS.		D	
MOLEX INCORPORATED		SEE SHT. 1	
LITLLEJ.L.L.	60532		
SHEET NO. 2	DATE 11/21/88		
PART NO. SD-3191-2*			
DRWG. NO.			
FILE NAME S31912X2			
THIS DRAWING CONTAINS INFORMATION THAT IS PROPRIETARY TO MOLEX INC. AND SHOULD NOT BE USED WITHOUT WRITTEN PERMISSION.			

13 12 11 10 9 8 7 6 3191 4 3 2 1

PLUG		RECEPTACLE	
PART NO.	ENG. NO.	PART NO.	ENG. NO.
19-09-2028	3191-2P	19-09-1029	3191-2R1
19-09-2029	3191-2P1	19-09-1026	3191-2R1-201
19-09-2027	3191-2P-201	19-09-1020	3191-2R IRD
19-09-2026	3191-2P1-201	19-09-1021	3191-2R IBU
19-09-2020	3191-2P IRD		
19-09-2021	3191-2P IBU		

LEGEND:

3191-2****-*

CIRCUIT SIZE

P = PLUG

R = RECEPTACLE

EARS: BLANK = WITH PREBENT EARS (PLUG ONLY)

I = WITHOUT EARS

COLOR: BLANK = NATURAL COLOR

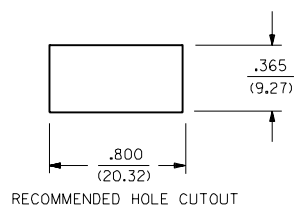
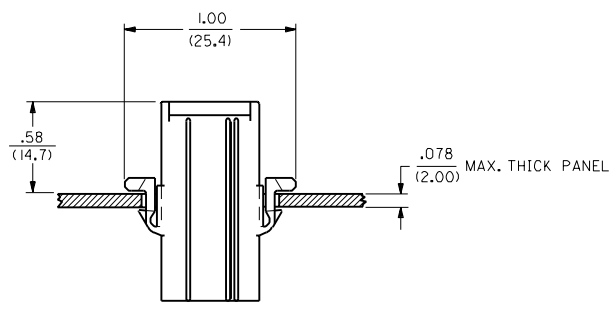
AM=AMBER BK=BLACK BU=BLUE

BN=BROWN GY=GRAY GN=GREEN

OR=ORANGE RD=RED YW=YELLOW

MATERIAL: BLANK=NYLON TYPE 6/6, 94V-2

201=NYLON TYPE 6/6, 94V-0



NOTES:

1. THESE HOUSINGS FOR USE WITH MOLEX .093/(2.36) DIAMETER SERIES TERMINALS.

J
I
H
G
F
E
D
C
B
A

3191

DIMENSIONS SHOWN (METRIC) INCH		▽=0 ▼=0		REVISE ONLY ON CAD SYSTEM	
UNLESS OTHERWISE SPECIFIED TOLERANCES: ANGLES .015°					
INCH		METRIC		TITLE	
3 PLACE	± .010	---	---	.093/(2.36) HOUSINGS	
2 PLACE	± .014	± 0.25	---	PLUG AND RECEPTACLE	
1 PLACE	---	± 0.35	---	2 CKT., .264/(6.70) CTRS.	
DRAFT WHERE APPLICABLE MUST REMAIN WITHIN DIMENSIONS					
DRWG. BY: CEP	CHK'D. BY: RW	PART NO. SD-3191-2*		DATE 11/21/88	
APP'D. BY: RAS	SCALE: --:--	SEE CHART		MOLEX INCORPORATED 60532 U.S.A. 3	
LTR. REVISIONS		LTR. REVISIONS		THIS DRAWING CONTAINS INFORMATION THAT IS PROPRIETARY TO MOLEX INC. AND SHOULD NOT BE USED WITHOUT WRITTEN PERMISSION.	

13 12 11 10 9 8 7 6 5 4 3 2 NO P.S. 1